



CATALOGUE
HEATING



VORTICE S.p.A. is part of a multinational group, **VORTICE GROUP**, which operates through its own companies or local distributors in over 90 countries worldwide and has a rich product portfolio that guarantees air quality and climate comfort. The headquarters of VORTICE S.p.A are in Tribiano (Milan).



VORTICE GROUP also includes:

[1] **VORTICE LIMITED**, the UK subsidiary of VORTICE S.p.A., established in 1977 and based in Burton on Trent.

[2] **VORTICE INDUSTRIAL**, born from the acquisition in 2010 of Loran srl, based in Isola della Scala (VR).

[3] **VORTICE VENTILATION SYSTEM**, a company inaugurated in 2013 with headquarters in Changzhou, China.

[4] **VORTICE LATAM S.A.**, based in Alajuela in Costa Rica, established in 2012.

[5] **CASALS VENTILACIÓN AIR INDUSTRIAL S.L.**, historic Spanish brand, based in Sant Joan de les Abadesses, Girona, acquired in 2019.

INDEX

CALDOMI RANGE page 04 Portable fan heater	MICROSOL RANGE page 28 Compact wall-mounted fan heaters
SCALDATUTTO® RANGE page 08 Portable fan heater	THERMOLOGIKA® RANGE page 32 Infrared wall heater
MICROCOMFORT RANGE page 12 Wall-mounted fan heater with towel heater function	THERMOLOGIKA® DESIGN RANGE page 36 Infrared wall heater
CALDORÈ RANGE page 16 Portable convector/fan heaters	THERMOLOGIKA SOLEIL SYSTEM RANGE page 40 Wall-mounted infrared lamp for indoor and outdoor use
CALDOPRO RANGE page 20 Portable professional fan heaters	CALDOFÀ RANGE page 48 Fireplace fan heaters
MICRORAPID RANGE page 24 Compact wall-mounted fan heaters	

CE MARKING

Commercial Ventilation appliances conform to the following European Directives:

2009/125/EC Directive Ecocompatible Design (ErP),
2006/42/EC Machines Directive (MD),
2004/108/EC Electromagnetic Compatibility Directive (EMC),

According to the following state-of-the-art Standards:

Safety

EN 60204-1; EN ISO 12100-1; EN ISO 12100-2; EN ISO 12499;
EN ISO 13857; EN 60335-1; EN 60335-2-80; EN 62233

Electromagnetic Compatibility

EN 55014-1; EN 55014-2; EN 61000-3-2; EN 61000-3-3

The fans built into the IN LINE Range are conform to the following European Directive N° 1253/2014 and N° 1254/2014.

CALDOMÌ® RANGE

Portable fan heater

Portable electric fan heater which provides an effective, rapid and aesthetically pleasing solution to heat integration needs on primary systems in domestic and commercial environments.

- Plastic resin self-extinguishing enclosures to guarantee safe use.
- Heating element can be excluded to allow for use as a fan.

Note: This product is not suitable for primary heating. This product is only suitable for properly insulated rooms or for occasional use.



Rotary switches positioned on the right flank to select the desired power and temperature



On the ground, simply mount the support foot at the bottom central hole of the rear enclosure.

TECHNICAL FEATURES

- 1 model
- Plastic resin enclosure; front cover made of self-extinguishing ABS, grey-painted; rear cover incorporating the extraction grille in self-extinguishing PP. Air outlet grille in PP on the front cover.
- Nylon (PA) centrifugal impeller loaded with heat-resistant glass fibre, turned by self-aligning and self-lubricating bushings.
- Needle heating element with two pre-selectable power levels (1,000 and 2,000 W), equipped with manually resettable thermal overload limiter.
- 4-position rotary switch to control product start-up, shut-down, deactivation of the heating element (the device works as a common fan) and selection of the desired power level.
- Room thermostat to set and maintain the desired temperature, preventing energy waste. The antifreeze function automatically activates the fan heater whenever the temperature drops below 5°C.
- Support feet on the back of the device for more secure vertical positioning on the floor or on a tabletop.
- Built-in recoil cord winder.
- Approx. 2 m power cord, complete with Shuko plug.
- Safety certified by third party body: (CE).
- Protection rating from dust and water: IPX1 (suitable for installation in bathroom Zone 3).
- Class of electric isolation: II (earthing not required).



CALDOMI RANGE
PORTABLE FAN HEATER

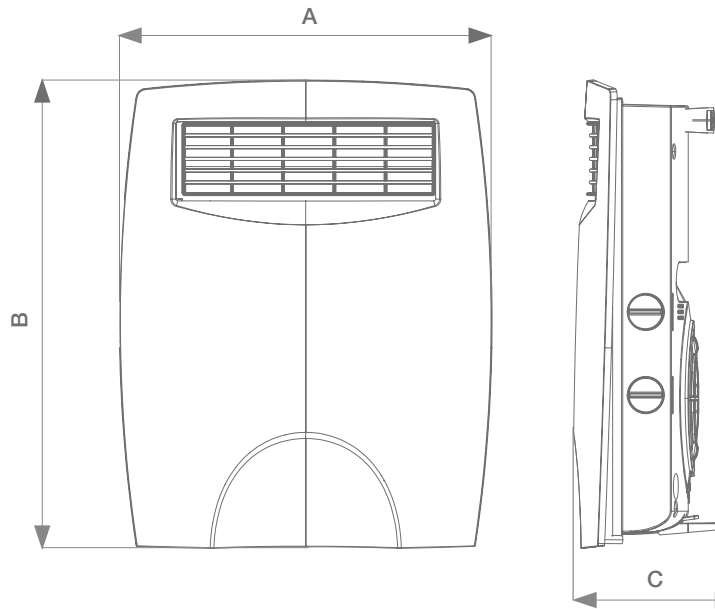
TECHNICAL DATA

PRODUCTS	CODE	V~50HZ	W	A	KG
CALDOMI	70299	230	1000/2000	8.7	1.85

TECHNICAL DATA PURSUANT TO REGULATION 1188/2015/EU

	REFERENCE PARAMETER	UNIT OF MEASUREMENT	CALDOMI
Storage devices with pilot light	-	-	no
Devices with stand-by mode	-	-	no
Seasonal energy efficiency of space heating	η_s	%	36
THERMAL POWER			
Rated thermal power	P _{nom}	kW	2
Minimum thermal power (indicative)	P _{min}	kW	1
Maximum continuous thermal power	P _{max,c}	kW	2
AUXILIARY ELECTRICITY CONSUMPTION			
Auxiliary electricity consumption at rated thermal power	el _{max}	kW	0.03
Auxiliary electricity consumption at minimum thermal power	el _{min}	kW	0.03
Auxiliary electricity consumption in stand-by mode	el _{SB}	kW	0.03
TYPE OF THERMAL POWER/AMBIENT TEMPERATURE CONTROL (INDICATE ONLY ONE OPTION)			
Single phase without ambient temperature control	-	-	no
Two or more phases without ambient temperature control	-	-	no
With ambient temperature control via mechanical thermostat	-	-	yes
With electronic ambient temperature control	-	-	no
With electronic ambient temperature control and daily timer	-	-	no
With electronic ambient temperature control and weekly timer	-	-	no
OTHER CONTROL OPTIONS (YOU CAN SELECT MULTIPLE OPTIONS)			
Ambient temperature control with presence sensor	-	-	no
Ambient temperature control with open window sensor	-	-	no
Control with remote control option	-	-	no
Adaptable switch-on control	-	-	no
Control with operating time limitation	-	-	no
Control with black globe thermometer	-	-	no

DIMENSIONS



PRODUCTS

CALDOMI

Dimensions in mm

A

290

B

375

C

100

APPLICATIONS



SCALDATUTTO® RANGE

Portable fan heaters

Portable electric fan heaters provide an effective, quick, and aesthetically pleasing solution to the heat integration needs of the primary system in domestic and commercial environments. SCALDATUTTO EVO T stands out from the rest of the range for its cylindrical design and the adoption of an IR control for remote operations.

- Casing with fan protection grilles made of self-extinguishing V0 plastic resin for SCALDATUTTO.
- Upper and lower casing printed in self-extinguishing polypropylene with decorative PVC band for the SCALDATUTTO EVO T model.
- Quick heat for your environmental comfort.
- Lightweight, manageable, and easy to move
- Plug and Play, just plug it in and it is ready to use.
- Silent operation, also suitable for bedrooms at night.
- Daily programmer, digital timer for SCALDATUTTO EVO T.
- Environment thermostat
- Two selectable power levels: 1,000 and 2,000 W
- IMQ: electrical safety certified by a Third Party

These products are not suitable for primary heating. These products are suitable for properly insulated environments or for occasional use as a heating supplement to the primary system only.



SCALDATUTTO



SCALDATUTTO EVO T



Digital timer setting for delayed shutdown, which can be set at half-hour intervals, up to a maximum of 8 hours

Automatic oscillation



TECHNICAL FEATURES

- 2 models, different in terms of design and also available in a timer version:
 - SCALDATUTTO (code 70145),
 - SCALDATUTTO EVO T (code 70152).
- 3-speed shielded pole motor with shaft mounted on self-centring and self-lubricating brass bearings, combined with a moulded aluminium fan for SCALDATUTTO.
- Resistance equipped with limiter with PTC with manual reset with two pre-selectable power levels (1,000 and 2,000 W for SCALDATUTTO).
- Electric resistance of the ceramic type (PTC) for the SCALDATUTTO EVO T model.
- 4-position rotary switch to control product startup, shutdown, deactivation of the electrical resistance (the device works like a common table fan) and the selection of the desired power level (1,000/2,000 W).
- In the SCALDATUTTO EVO T model, there is a control panel with LCD display and a push-button panel, located on the upper portion, used for: switching the product on/off, activating the automatic oscillation on the horizontal plane, setting the timer, and selecting the operating modes: LOW, HIGH, AUTO, and STANDBY.
- Timer for the daily programming of the appliance.
- Environment thermostat with manual adjustment and anti-freeze function, that guarantees automatic switching on of the fan heater when the detected environment temperature drops below 5 °C.
- The SCALDATUTTO EVO T model is equipped with an IR control for remote control of the product, whose functions are the same as those featured on the product. The remote control is powered by a 3-V CR2032 lithium battery.
- The SCALDATUTTO EVO T model is equipped with a removable and cleanable polyurethane dust filter that retains dust and microparticles contained in the air.
- Support feet, on the bottom of the appliance, for a more stable vertical positioning on the floor or on a table for all models except SCALDATUTTO EVO T.
- Indicator light for signalling the device running.
- Power cable reel integrated into the product for all models except SCALDATUTTO EVO T.
- Power cable with a length of approx. 1.8 m equipped with Italian plug for all models except SCALDATUTTO EVO T, whose cable is 1.5 m long and has a Schuko plug.
- Degree of protection against dust and water: IP21 (suitable for installation in Zone 3 of bathrooms).
- Electrical insulation class: II (earthing not required).



CALDOMI RANGE
PORTABLE FAN HEATER

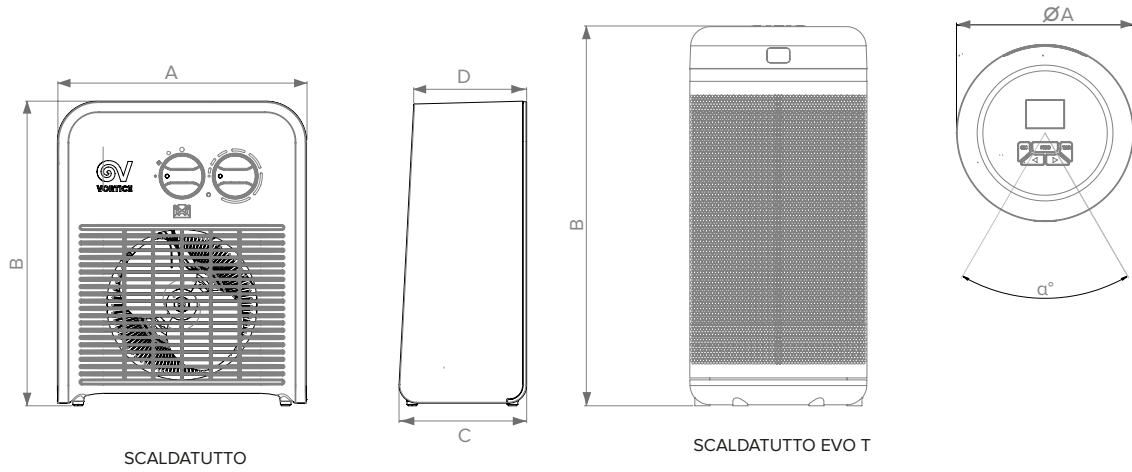
TECHNICAL DATA

PRODUCTS	CODES	V~50HZ	W	A	KG
SCALDATUTTO	70145	230	2000	9.0	2.3
SCALDATUTTO EVO T	70152	220-240	2000	9.0	2.65

TECHNICAL DATA PURSUANT TO REGULATION 1188/2015/EU

	REFERENCE PARAMETER	UNIT OF MEASUREMENT	SCALDATUTTO	SCALDATUTTO EVO T
Storage devices with pilot light	-	-	no	no
Devices with stand-by mode	-	-	no	no
Seasonal energy efficiency of space heating	η_{s}	%	36	37
THERMAL POWER				
Rated thermal power	P _{nom}	kW	2	2
Minimum thermal power (indicative)	P _{min}	kW	1	1,4
Maximum continuous thermal power	P _{max,c}	kW	2	2
AUXILIARY ELECTRICITY CONSUMPTION				
Auxiliary electricity consumption at rated thermal power	e _{lmax}	kW	0,015	no
Auxiliary electricity consumption at minimum thermal power	e _{lmin}	kW	0,015	no
Auxiliary electricity consumption in stand-by mode	e _{lSB}	kW	0,015	no
TYPE OF THERMAL POWER/AMBIENT TEMPERATURE CONTROL (INDICATE ONLY ONE OPTION)				
Single phase without ambient temperature control	-	-	no	no
Two or more phases without ambient temperature control	-	-	no	no
With ambient temperature control via mechanical thermostat	-	-	yes	no
With electronic ambient temperature control	-	-	no	no
With electronic ambient temperature control and daily timer	-	-	no	no
With electronic ambient temperature control and weekly timer	-	-	no	no
OTHER CONTROL OPTIONS (YOU CAN SELECT MULTIPLE OPTIONS)				
Ambient temperature control with presence sensor	-	-	no	no
Ambient temperature control with open window sensor	-	-	no	no
Control with remote control option	-	-	no	yes
Adaptable switch-on control	-	-	no	no
Control with operating time limitation	-	-	no	yes
Control with black globe thermometer	-	-	no	no

DIMENSIONS



PRODUCTS

	A	B	C	D
SCALDATUTTO	281	343	144	127
SCALDATUTTO EVO T	Ø 178	380	-	-

Dimensions in mm

APPLICATIONS



MICROCOMFORT RANGE

Wall-mounted fan heater with towel heater function

Wall-mounted electric fan heater/towel heater. Its small size and pleasant design make MICROCOMFORT T particularly suitable for installation in residential bathrooms, where it ensures the effective and rapid heating integration of the primary system.

- Quick heat for your environmental comfort and an always-warm towel
- Lightweight, manageable, and easy to install
- Different operating modes, allowing to adapt the heating to your needs.
- Possibility of use as a traditional fan heater, by placing it horizontally on the floor or on a shelf and removing the towel holder bracket.
- Automatic protection of energy waste thanks to the "open window" feature, which automatically puts the appliance in stand-by mode in the presence of sudden drops in temperature.
- High comfort and consumption optimisation ensured by the weekly chronothermostat.
- Electrical safety certified by the European Intertek body.
- Infrared control for product remote control and setting, to guarantee greater comfort of use.

This product is not suitable for primary heating. This product is suitable for properly insulated environments or for occasional use as a heating supplement to the primary system only.

It is possible to remove the bracket and - thanks to the feet - use MICROCOMFORT T placing it on the floor or on a table.



Bracket for wall installation, supplied with screws and dowels for wall installation

Control panel with LCD display and touch keys.

Towel holder bracket, made of aluminium.

Infrared control for product remote control and setting, to guarantee greater comfort of use.



TECHNICAL FEATURES

- 1 model available. MICROCOMFORT T (code 70872).
- Casing made of PC/ABS plastic resin.
- Adjustable lower grille to better direct the air flow according to your needs.
- PTC heating elements.
- Bracket for wall installation of the towel heater, specially designed to quickly hook/unhook the product. In case of fixed installation, the product can be anchored directly to the target wall using the screws and dowels supplied.
- Towel holder bracket, made of aluminium. The item can be easily removed, and the relative attachments, placed on the sides, can be covered with the two caps supplied.
- Button for connection to the network (usually the product is in stand-by mode, ready for startup) located on the back of the product.
- Thermal protection to avoid damage and risks due to overheating; the product is equipped with a safety device that cuts off the power supply in case of overheating.
- Thermostat for setting and maintaining the desired environment temperature.
- Control panel with LCD display and touch keys, in correspondence of the front cover, for:
 - Switching the product on/off.
 - Selecting the operating modes: minimum power (1,000 W), maximum power (1,500 W), ventilation mode (resistance disabled);
 - Setting the timer for delayed switching on/off, which can be set up to a maximum of 12 hours.
 - Setting the weekly chronothermostat for keeping the desired temperature inside the room constant (default temperature +25 °C; setting range from +15 °C to +35 °C).
 - Activating the automatic detection of an open window: if the fan heater is operating in chronothermostat mode, therefore based on the room temperature set, and the temperature drops suddenly by 5-10 °C within 10 minutes, the light goes off and the product automatically switches to stand-by mode.
- IR control for product remote control, powered by a 3-V CR2032 lithium battery.
- Polyurethane dust filter, placed on the back and protected by a removable grille, used to protect the internal components from the accumulation of dust and macroparticles present in the air.
- Degree of protection against dust and water: IP23 (suitable for installation in Zone 3 of bathrooms).
- Electrical insulation class: II (earthing not required).



MICROCOMFORT RANGE
PORTABLE FAN HEATER

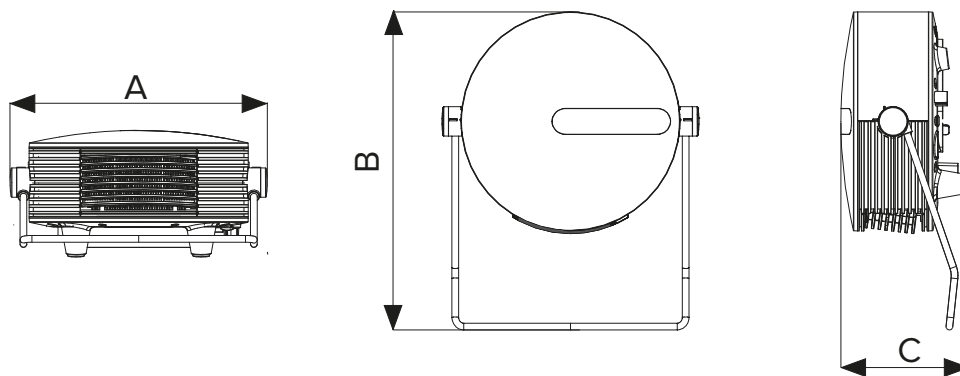
TECHNICAL DATA

PRODUCTS	CODES	V~50HZ	W	A	KG
MICROCOMFORT T	70872	220-240	1500	8.7	2.1

TECHNICAL DATA PURSUANT TO REGULATION 1188/2015/EU

	REFERENCE PARAMETER	UNIT OF MEASUREMENT	MICROCOMFORT T
Storage devices with pilot light	-	-	no
Devices with stand-by mode	-	-	no
Seasonal energy efficiency of space heating	η_{s}	%	NO
THERMAL POWER			
Rated thermal power	P_{nom}	kW	1,500
Minimum thermal power (indicative)	P_{min}	kW	1,193
Maximum continuous thermal power	$P_{max,c}$	kW	1,580
AUXILIARY ELECTRICITY CONSUMPTION			
Auxiliary electricity consumption at rated thermal power	e_{lmax}	kW	no
Auxiliary electricity consumption at minimum thermal power	e_{lmin}	kW	no
Auxiliary electricity consumption in stand-by mode	e_{lSB}	kW	0,00030
TYPE OF THERMAL POWER/AMBIENT TEMPERATURE CONTROL (INDICATE ONLY ONE OPTION)			
Single phase without ambient temperature control	-	-	no
Two or more phases without ambient temperature control	-	-	no
With ambient temperature control via mechanical thermostat	-	-	no
With electronic ambient temperature control	-	-	no
With electronic ambient temperature control and daily timer	-	-	no
With electronic ambient temperature control and weekly timer	-	-	yes
OTHER CONTROL OPTIONS (YOU CAN SELECT MULTIPLE OPTIONS)			
Ambient temperature control with presence sensor	-	-	no
Ambient temperature control with open window sensor	-	-	yes
Control with remote control option	-	-	no
Adaptable switch-on control	-	-	no
Control with operating time limitation	-	-	yes
Control with black globe thermometer	-	-	no

DIMENSIONS



PRODUCTS	A	B	C
MICROCOMFORT	385	460	130

Dimensions in mm



APPLICATIONS



CALDORÈ® RANGE

Portable convector/fan heaters

Portable electric convector/fan heaters designed to effectively and quickly guarantee necessary integration to the primary heating systems installed in the domestic or commercial premises where the unit is to be installed.

- Portable.
- Sturdy and fire resistant steel sheet and self-extinguishing resin enclosure.
- Daily programmer (CALDORÈ RT).
- Design: F. Trabucco - M. Vecchi.

Note: These products are not suitable for primary heating. These products are only suitable for properly insulated rooms or for occasional use.



Retractable power cord

The RT model is equipped with an adjustable daily programmer with minimum intervals of 15'



Feet with special non-slip rubber pads



TECHNICAL FEATURES

- 3 models, in convector heater version (CALDORÈ) and fan heater version (CALDORÈ), also in timer version (CALDORÈ RT).
- Panels and grilles made of steel sheet with scratch-resistant paint finish, colour grey.
- Flanks made of self-extinguishing plastic resin, colour grey.
- Needle heating elements, protected by a manually resettable thermal overload limiter. Heating power can be set on three levels for the best compromise between effectiveness and savings. The heating element can be excluded to allow for use of CALDORÈ R and CALDORÈ RT as simple fans.
- Set of lit switches for on/off control, selection of the heat element power level, turn on the impeller (CALDORÈ R) and activate the timer (CALDORÈ RT).
- Room thermostat with antifreeze function, guaranteeing automatic activation of the fan heater whenever ambient temperature drops below 5 °C.
- Daily programmer to set on and delayed shut-down of the product (CALDORÈ RT).
- Power cable including Italian plug, approx. 1.6 m, can be conveniently recoiled to be retracted at the bottom of the product.
- Stabilizer feet with special non-slip rubber pads.
- Safety certified by third party body (CE).
- Protection rating from dust and water: IPX1 (suitable for installation in bathroom Zone 1).
- Class of electric isolation: II (earthing not required).



CALDORÈ RANGE
PORTABLE CONVECTOR/FAN HEATERS

TECHNICAL DATA

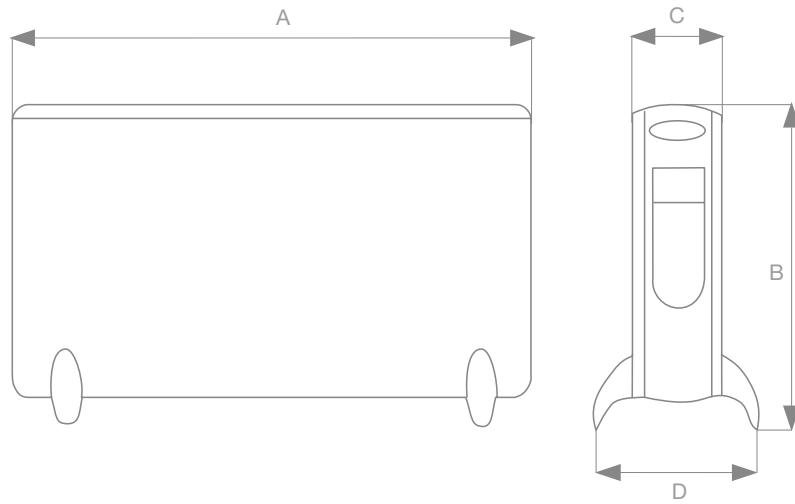
PRODUCTS	CODES	V~50HZ	W	A	KG
CALDORÈ	70201	230	800/1200/2000	8.7	3.9
CALDORÈ R	70211	230	800/1200/2000	8.7	5.2
CALDORÈ RT	70221	230	800/1200/2000	8.7	5.3

TECHNICAL DATA PURSUANT TO REGULATION 1188/2015/EU

	REFERENCE PARAMETER	UNIT OF MEASUREMENT	CALDORÈ	CALDORÈ R	CALDORÈ RT
Storage devices with pilot light	-	-	no	no	no
Devices with stand-by mode	-	-	no	no	no
Seasonal energy efficiency of space heating	η _s	%	36.	36.	36
THERMAL POWER					
Rated thermal power	P _{nom}	kW	2	2	2
Minimum thermal power (indicative)	P _{min}	kW	0.8	0.8	0.8
Maximum continuous thermal power	P _{max,c}	kW	2	2	2
AUXILIARY ELECTRICITY CONSUMPTION					
Auxiliary electricity consumption at rated thermal power	e _{lmax}	kW	0	0,018	0,018
Auxiliary electricity consumption at minimum thermal power	e _{lmin}	kW	0	0,018	0,018
Auxiliary electricity consumption in stand-by mode	e _{lSB}	kW	0	0,018	0,018
TYPE OF THERMAL POWER/AMBIENT TEMPERATURE CONTROL (INDICATE ONLY ONE OPTION)					
Single phase without ambient temperature control	-	-	no	no	no
Two or more phases without ambient temperature control	-	-	no	no	no
With ambient temperature control via mechanical thermostat	-	-	yes	yes	yes
With electronic ambient temperature control	-	-	no	no	no
With electronic ambient temperature control and daily timer	-	-	no	no	no
With electronic ambient temperature control and weekly timer	-	-	no	no	no
OTHER CONTROL OPTIONS (YOU CAN SELECT MULTIPLE OPTIONS)					
Ambient temperature control with presence sensor	-	-	no	no	no
Ambient temperature control with open window sensor	-	-	no	no	no
Control with remote control option	-	-	no	no	no
Adaptable switch-on control	-	-	no	no	no
Control with operating time limitation	-	-	no	no	no
Control with black globe thermometer	-	-	no	no	no



DIMENSIONS



PRODUCTS	A	B	C	D
CALDORÈ	580	415	200	100
CALDORÈ R	685	415	200	100
CALDORÈ RT	685	415	200	100

Dimensions in mm

APPLICATIONS



CALDOPRO® RANGE

Portable professional fan heaters

Single-phase and three-phase convector heaters specifically designed for professional use in construction sites, warehouses, laboratories and, more generally, wherever high heating powers (up to 5 kW) are required, combined with resistance to impact, water and dirt accumulation.

- Ideal for use in constructions sites.
- Heating element can be excluded to allow for use as a fan.
- High protection rating from dust and water:
- Three-phase power supply available.

Note: These products are not suitable for primary heating. These products are only suitable for properly insulated rooms or for occasional use.



TECHNICAL FEATURES

- 2 models, different for maximum power and power supply (single-phase and three-phase).
- Grey-painted cylindrical steel sheet structure enclosed at the ends by a pair of grilles protecting the air inlet and outlet.
- Fan unit with 5-blade aluminium moulded axial impeller.
- Tubular heating element protected from contact with dust and water and therefore suitable for use in heavy duty conditions, with automatically resettable thermal overload limiter.
- Control panel located on top of the main cylindrical enclosure, moulded out of self-extinguishing plastic resin (ABS), painted grey and with a built-in handle for easier product transport.
- Mechanical timer (max duration 180 minutes) for delayed product shut-down.
- 4-position rotary switch/selector: to switch on the product, select the power output, and “ventilation” mode operation setting (the heating element is not powered and the product works as a common fan).
- Bulb room thermostat, guaranteeing greater reading accuracy.
- Approx. 1.8 m power cord with safety plug, Shuko for single-phase model, 5-pole industrial (3 poles + N + T) for three-models.
- Bent and painted steel sheet feet with antivibration mounts.
- Safety certified by third party body (CE).
- Protection rating from dust and water: IPX4 (suitable for Zone 1 installation).
- Class of electric isolation: I (earthing required).



CALDOPRO® RANGE
PORTABLE PROFESSIONAL FAN HEATERS

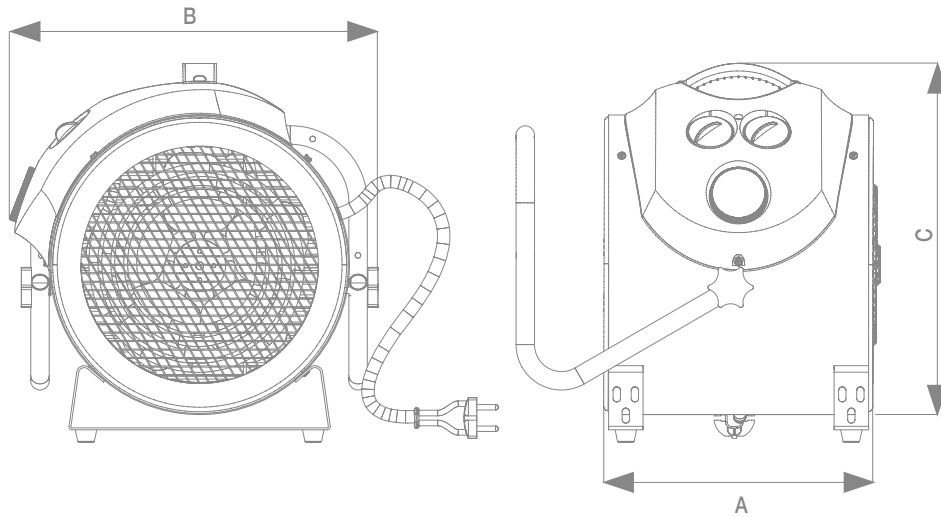
TECHNICAL DATA

PRODUCTS	CODES	V~50HZ	W	A	KG
CALDOPRO PLUS 3000 T	70806	400	3000	4.3	5.4
CALDOPRO PLUS 5000 T	70807	400	5000	7.2	5.4

TECHNICAL DATA PURSUANT TO REGULATION 1188/2015/EU

	REFERENCE PARAMETER	UNIT OF MEASUREMENT	CALDOPRO PLUS 3000 T	CALDOPRO PLUS 5000 T
Storage devices with pilot light	-	-	no	no
Devices with stand-by mode	-	-	no	no
Seasonal energy efficiency of space heating	η _s	%	36	36
THERMAL POWER				
Rated thermal power	P _{nom}	kW	3	5
Minimum thermal power (indicative)	P _{min}	kW	3	5
Maximum continuous thermal power	P _{max,c}	kW	3	5
AUXILIARY ELECTRICITY CONSUMPTION				
Auxiliary electricity consumption at rated thermal power	el _{max}	kW	0.03	0.03
Auxiliary electricity consumption at minimum thermal power	el _{min}	kW	0.03	0.03
Auxiliary electricity consumption in stand-by mode	el _{SB}	kW	0.03	0.03
TYPE OF THERMAL POWER/AMBIENT TEMPERATURE CONTROL (INDICATE ONLY ONE OPTION)				
Single phase without ambient temperature control	-	-	no	no
Two or more phases without ambient temperature control	-	-	no	no
With ambient temperature control via mechanical thermostat	-	-	yes	yes
With electronic ambient temperature control	-	-	no	no
With electronic ambient temperature control and daily timer	-	-	no	no
With electronic ambient temperature control and weekly timer	-	-	no	no
OTHER CONTROL OPTIONS (YOU CAN SELECT MULTIPLE OPTIONS)				
Ambient temperature control with presence sensor	-	-	no	no
Ambient temperature control with open window sensor	-	-	no	no
Control with remote control option	-	-	no	no
Adaptable switch-on control	-	-	no	no
Control with operating time limitation	-	-	no	no
Control with black globe thermometer	-	-	no	no

DIMENSIONS



PRODUCTS	A	B	C
CALDOPRO PLUS 3000 T	250	300.5	340
CALDOPRO PLUS 5000 T	250	330.0	340

Dimensions in mm

APPLICATIONS



MICRORAPID® RANGE

Compact wall-mounted fan heaters

Fan heaters for wall installation, designed to effectively and safely (even in the presence of risks of direct contact with water) guarantee the necessary heat intake in domestic or commercial premises, even where there is no primary heating system.

- Very low noise emissions, thanks to the tangential fans used. Their automatic shut-down in use at minimum power, which involves substantially zeroing sound emissions, makes them perfect for use at night.
- High protection rating from water, compatible with Zone 1 bathroom installation.
- Flexible installation, thanks to their reduced thickness.
- Design: F. Trabucco & Associates.

Note: For full compliance with European Regulation No. 1188/2015, this product must be subjected to an external control device that regulates heat emission in the room where it is installed.

Lit controls for digital daily/
weekly programming (timer
model), protected by a
liftable door



TECHNICAL FEATURES

- 8 models, different in size and heat output, also in versions with daily and weekly programmer.
- Scratch-resistant painted steel enclosure, colour grey.
- Flanks and housing controls made of self-extinguishing plastic resin, colour grey.
- Tangential fan unit to keep sound emissions down.
- Metal-clad heating element with aluminium fins, protected by a manually resettable thermal overload limiter.
- Lit switches for on/off control and selection of power output and timer mode operating setting (MICRORAPID V0 T).
- Room thermostat with antifreeze function, guaranteeing automatic activation of the fan heater whenever ambient temperature drops below 5 °C.
- Daily and weekly electronic programmer complete with LCD display to set on and delayed shut-down of the product (MICRORAPID V0 T). Can also control MICRORAPID range devices through an external programmable thermostat, pre-existing and/or available separately from the product.
- Safety certified by third party body (CE).
- Protection rating from dust and water: IPX4 (suitable for installation in bathroom Zone 1).
- Class of electric isolation: I (earthing required).

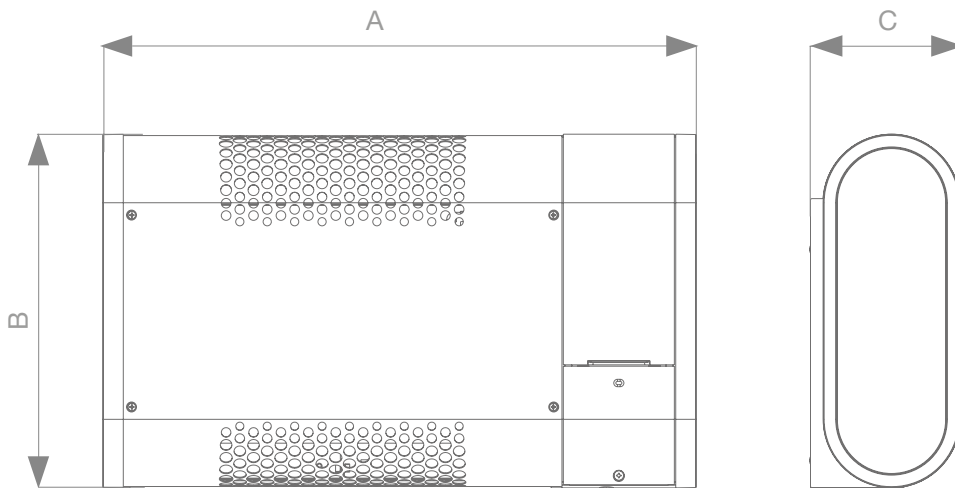


MICRORAPID RANGE
COMPACT WALL-MOUNTED FAN HEATERS

TECHNICAL DATA

PRODUCTS	CODES		V~50HZ	W	A	KG
	BASIC	TIMER				
MICRORAPID 600 V0	70602	70653	230	300/600	2.6	3.0
MICRORAPID 1000 V0	70612	70661	230	500/1000	4.3	3.7
MICRORAPID 1500 V0	70622	70663	230	500/1000/1500	6.5	3.8
MICRORAPID 2000 V0	70632	70681	230	800/1200/2000	8.7	4.2

DIMENSIONS



PRODUCTS	A	B	C
MICRORAPID 600 V0	433	258	109
MICRORAPID 1000 V0	503	258	109
MICRORAPID 1500 V0	573	258	109
MICRORAPID 2000 V0	633	258	109

Dimensions in mm

APPLICATIONS



MICROSOL® RANGE

Compact wall-mounted convector heaters

Convector heaters for wall installation, designed to effectively and safely (even in the presence of risks of direct contact with water) guarantee the necessary heat intake in domestic or commercial premises, even where there is no primary heating system.

- High protection rating from water, compatible with Zone 1 bathroom installation.
- Flexible installation, thanks to their reduced thickness.
- Extreme silence as there are no moving parts.
- Design: F. Trabucco & Associates. 1st Prize Livin Luce Top selection 2007.

Note: For full compliance with European Regulation No. 1188/2015, this product must be subjected to an external control device that regulates heat emission in the room where it is installed.

Lit switches protected
by a door



TECHNICAL FEATURES

- 4 models, different due to dimensions and heat output.
- Scratch-resistant painted steel enclosure, colour grey.
- Flanks and housing controls made of self-extinguishing plastic resin, colour grey.
- Metal-clad heating element with aluminium fins, protected by a manually resettable thermal overload limiter.
- Lit switches for on/off control and selection of power output.
- Room thermostat with antifreeze function, guaranteeing automatic activation of the fan heater whenever ambient temperature drops below 5°C.
- Safety certified by third party body (CE).
- Protection rating from dust and water: IPX4 (suitable for installation in bathroom Zone 1).
- Class of electric isolation: I (earthing required).

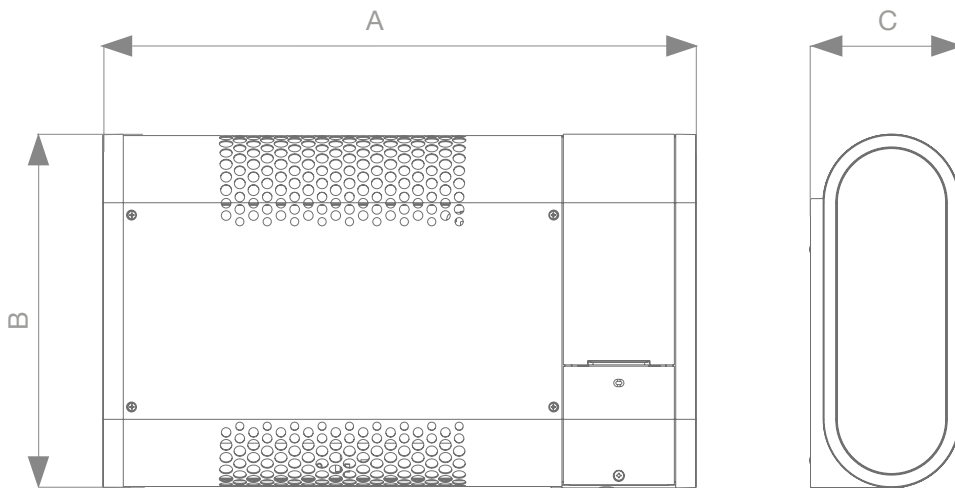


MICROSOL® RANGE
COMPACT WALL-MOUNTED CONVECTOR HEATERS

TECHNICAL DATA

PRODUCTS	CODES	V~50HZ	W	A	KG
MICROSOL 600 V0	70562	230	300/600	2.6	2.9
MICROSOL 1000 V0	70572	230	500/1000	4.3	3.2
MICROSOL 1500 V0	70582	230	500/1000/1500	6.5	3.9
MICROSOL 2000 V0	70592	230	800/1200/2000	8.7	4.6

DIMENSIONS



PRODUCTS	A	B	C
MICROSOL 600 V0	463	258	109
MICROSOL 1000 V0	573	258	109
MICROSOL 1500 V0	723	258	109
MICROSOL 2000 V0	863	258	109

Dimensions in mm

APPLICATIONS



THERMOLOGIKA® RANGE

Infrared wall heater

Infrared (IR) lamp heater for horizontal wall installation. The heat produced by THERMOLOGIKA is radiated to the surrounding space (the same physical principle of solar rays), minimising the effect of external atmospheric factors and creating the ideal solution for localised heating, even in the absence of adequate thermal insulation or in areas open towards the outside.

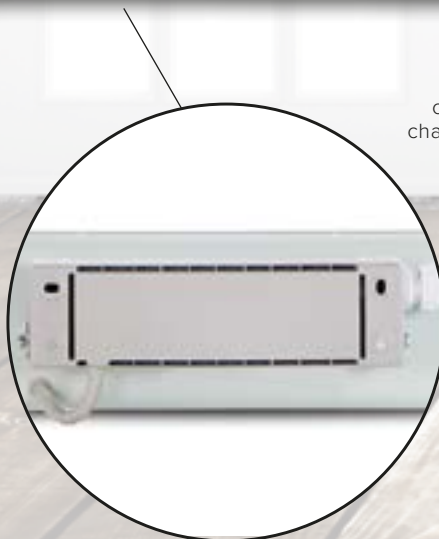
- High protection rating from water IPX4, compatible with Zone 1 bathroom installation and in the presence of high relative humidity.
- The angle of inclination of the installed product can be changed to optimise the orientation of the irradiated flow.
- Small size, perfectly compatible with installation even in confined spaces.

Note: This product is not suitable for primary heating.

Small size, perfectly compatible with installation even in confined spaces



The angle of inclination of the installed product can be changed to optimise the orientation of the irradiated flow



TECHNICAL FEATURES

- 1 model.
- Steel sheet enclosure; the front cover, which integrates the grille function, is painted silver and the rear cover is painted grey.
- Grey plastic resin (polyamide) flanks.
- 3 quartz IR lamp heater, rated 600 W, controllable separately to adapt the irradiated power to the actual current needs.
- Pull switch for on/off control and selection of irradiated power output. The power selected is displayed in the window located on the left side of the front cover.
- Box housing the mains connection terminals moulded in heat resistant plastic resin, secured to the installation wall and connected to the product by means of a mechanism that allows it to be adjusted in the direction of the area to be heated.
- Can be wired to a remote switch to facilitate installation in unmanned areas.
- Safety certified by third party (CE).
- Protection rating from dust and water: IPX4 (suitable for installation in bathroom Zone 1).
- Class of electric isolation: I (earthing required).



THERMOLOGIKA® RANGE
INFRARED WALL HEATERS

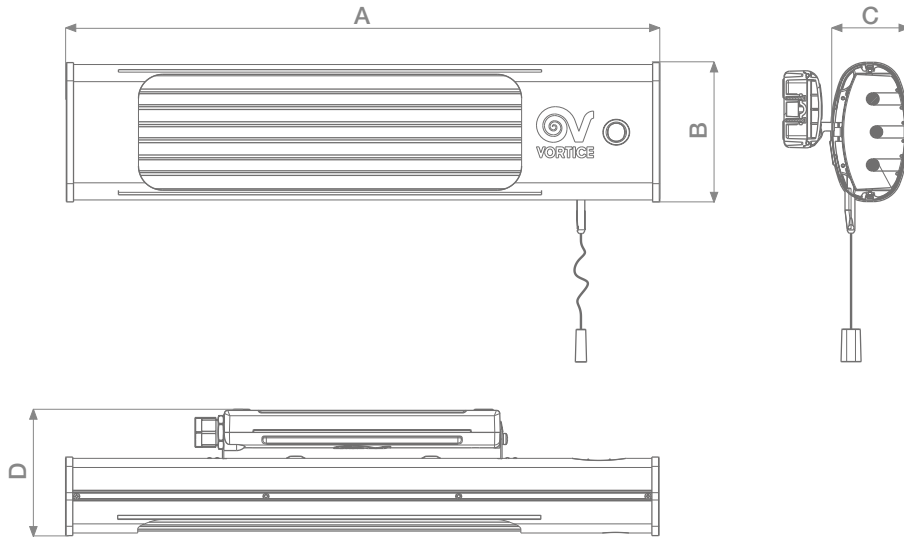
TECHNICAL DATA

PRODUCTS	CODES	V~50/60HZ	W	A	KG
THERMOLOGIKA	70015	230	600/1200/1800	7.8	1.5

TECHNICAL DATA PURSUANT TO REGULATION 1188/2015/EU

	REFERENCE PARAMETER	UNIT OF MEASUREMENT	THERMOLOGIKA
Storage devices with pilot light	-	-	no
Devices with stand-by mode	-	-	no
Seasonal energy efficiency of space heating	η_s	%	35
THERMAL POWER			
Rated thermal power	P _{nom}	kW	1.8
Minimum thermal power (indicative)	P _{min}	kW	0.6
Maximum continuous thermal power	P _{max,c}	kW	1.8
AUXILIARY ELECTRICITY CONSUMPTION			
Auxiliary electricity consumption at rated thermal power	el _{max}	kW	0
Auxiliary electricity consumption at minimum thermal power	el _{min}	kW	0
Auxiliary electricity consumption in stand-by mode	el _{SB}	kW	0
TYPE OF THERMAL POWER/AMBIENT TEMPERATURE CONTROL (INDICATE ONLY ONE OPTION)			
Single phase without ambient temperature control	-	-	no
Two or more phases without ambient temperature control	-	-	yes
With ambient temperature control via mechanical thermostat	-	-	no
With electronic ambient temperature control	-	-	no
With electronic ambient temperature control and daily timer	-	-	no
With electronic ambient temperature control and weekly timer	-	-	no
OTHER CONTROL OPTIONS (YOU CAN SELECT MULTIPLE OPTIONS)			
Ambient temperature control with presence sensor	-	-	yes
Ambient temperature control with open window sensor	-	-	no
Control with remote control option	-	-	yes
Adaptable switch-on control	-	-	no
Control with operating time limitation	-	-	no
Control with black globe thermometer	-	-	no

DIMENSIONS



PRODUCTS	A	B	C	D
THERMOLOGIKA DESIGN	540	127	72	118

Dimensions in mm

CONTROLS

MODELS	DESCRIPTION	CODE	PRODUCTS
	HOMEMATIC IP SMART PLUG	21379	for all codes
	HOMEMATIC IP ACCESS POINT	21380	for all codes

APPLICATIONS



THERMOLOGIKA® DESIGN RANGE

Infrared wall heater

Elegant, distinctive design infrared (IR) lamp heater for horizontal wall installation. The heat produced by THERMOLOGIKA DESIGN radiated to the surrounding space (the same physical principle of solar rays), minimising the effect of external atmospheric factors and creating the ideal solution for localised heating, even in the absence of adequate thermal insulation or in areas open towards the outside.

- Pleasing, modern design, enriched by the numerous colour alternatives available.
- High protection rating from water, compatible with Zone 1 bathroom installation and in the presence of high relative humidity.
- Small size, perfectly compatible with installation even in confined spaces.
- Design: Volpi Design.

Note: These products are not suitable for primary heating.

Pleasing, modern design, enriched by the numerous colour alternatives available



Grey



Anthracite grey



Design Blue



Design White



Thermologika Design Plus: highly effective halogen bulb heating, suitable for use in open and unsheltered areas



TECHNICAL FEATURES

- 5 models, different colour options, power outputs and types of lamps.
- Painted steel casing.
- Flanks in black painted die cast aluminium.
- Grille fashioned with stainless steel rods.
- 3 quartz IR lamp heater (for all codes except 70008), rated 600 W, controllable separately to adapt the irradiated power to the actual current needs.
- THERMOLOGIKA DESIGN PLUS has a low luminous intensity halogen lamp ("Ultra Low Glare") to not disturb occupants in the area facing the installation point. With adjustable power, depending on need, up to a maximum of 1,500 W, characterised by a particularly high thermal output and high start-up speed (beyond the 90% of the maximum radiated power peak is reached in less than 1 second) and long durability.
- Pull switch (for all codes except 70008) for on/off control and selection of irradiated power output. The power selected is displayed near the left side of the front cover. Bipolar pull switch (THERMOLOGIKA DESIGN PLUS) for product switch-on and switch-off; alternatively, the lamp can be connected to a remote switch.
- Terminal board for electrical connection housed at the bottom of the left flank.
- Painted steel sheet bracket for wall installation, designed to allow you to vary the inclination of the product, so as to aim radiation towards the point to be heated.
- Protection rating from dust and water: IPX4 (suitable for installation in bathroom Zone 1).
- Class of electric isolation: I (earthing required).



THERMOLOGIKA® DESIGN RANGE
INFRARED WALL HEATERS

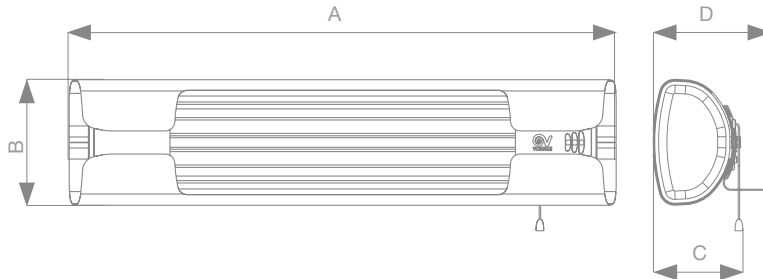
TECHNICAL DATA

PRODUCTS	CODES	V~50/60 HZ	W	A	KG
THERMOLOGIKA DESIGN	70003	230	600/1200/1800	7.8	2.4
THERMOLOGIKA DESIGN GREY	70004	230	600/1200/1800	7.8	2.4
THERMOLOGIKA DESIGN ANTHRACITE GREY	70005	230	600/1200/1800	7.8	2.4
THERMOLOGIKA DESIGN BLUE	70006	230	600/1200/1800	7.8	2.4
THERMOLOGIKA DESIGN WHITE	70007	230	600/1200/1800	7.8	2.4

TECHNICAL DATA PURSUANT TO REGULATION 1188/2015/EU

	REFERENCE PARAMETER	UNIT OF MEASUREMENT	THERMOLOGIKA DESIGN	THERMOLOGIKA DESIGN PLUS
Storage devices with pilot light	-	-	no	no
Devices with stand-by mode	-	-	no	no
Seasonal energy efficiency of space heating	η_s	%	35	35
THERMAL POWER				
Rated thermal power	P _{nom}	kW	1.8	1.8
Minimum thermal power (indicative)	P _{min}	kW	0.6	0.6
Maximum continuous thermal power	P _{max,c}	kW	1.8	1.8
AUXILIARY ELECTRICITY CONSUMPTION				
Auxiliary electricity consumption at rated thermal power	e _{lmax}	kW	0	0
Auxiliary electricity consumption at minimum thermal power	e _{lmin}	kW	0	0
Auxiliary electricity consumption in stand-by mode	e _{lSB}	kW	0	0
TYPE OF THERMAL POWER/AMBIENT TEMPERATURE CONTROL (INDICATE ONLY ONE OPTION)				
Single phase without ambient temperature control	-	-	no	no
Two or more phases without ambient temperature control	-	-	yes	no
With ambient temperature control via mechanical thermostat	-	-	no	no
With electronic ambient temperature control	-	-	no	yes
With electronic ambient temperature control and daily timer	-	-	no	no
With electronic ambient temperature control and weekly timer	-	-	no	no
OTHER CONTROL OPTIONS (YOU CAN SELECT MULTIPLE OPTIONS)				
Ambient temperature control with presence sensor	-	-	yes	yes
Ambient temperature control with open window sensor	-	-	no	no
Control with remote control option	-	-	yes	yes
Adaptable switch-on control	-	-	no	no
Control with operating time limitation	-	-	no	no
Control with black globe thermometer	-	-	no	no

DIMENSIONS




PRODUCTS	A	B	C	D
THERMOLOGIKA DESIGN	570	132	84	124

Dimensions in mm

ACCESSORIES UPON REQUEST

MODELS	DESCRIPTION	CODE	PRODUCTS
	BRACKET KIT THERMOLOGIKA DESIGN	22496	for all codes
	QUARTZ TUBE	22985	for all codes (except code 70008)

CONTROLS

MODELS	DESCRIPTION	CODE	PRODUCTS
	POWER REGULATOR - it allows on/off and regulation of the delivered power output, varying the power in a range from 30 to 100% of the nominal value. It is possible to adjust up to 2 lamps simultaneously. Power supply: 230V~50Hz Max absorption: 3000 W Operating temperature: 0°C - 40°C Protection: IP20 Insulation: Class I	22974	70008
	HOMEMATIC IP SMART PLUG	21379	for all codes
	HOMEMATIC IP ACCESS POINT	21380	for all codes

APPLICATIONS



THERMOLOGIKA® SOLEIL SYSTEM RANGE

Wall-mounted infrared heater for indoor and outdoor use

Infrared (IR) lamp heater for horizontal wall and ceiling installation, equipped with a halogen bulb. Designed for instant heating. Can be installed outdoors, even in the presence of adverse weather conditions, thanks to its high degree of protection against water (IP65).

- Highly effective halogen bulb heating, suitable for use in open and unsheltered areas. Especially high protection against water (IP65).
- Highly flexible installation: the device can also be installed outdoors in uncovered areas, horizontally on the wall or on the ceiling or vertically on the wall. A wide range of accessories also makes installation possible on a mobile device (PALOLOGIKO). What's more, specific kits allow for the installation of 2 THERMOLOGIKA SOLEIL SYSTEMS in a side-by-side or overlapping position, maintaining a single point of supply.
- The angle of inclination of the installed product can be changed to optimise the orientation of the irradiated flow.

Note: This product is not suitable for primary heating.

Steel sheet bracket. The 5 grooves on the back of the product allow for variation of the angle of inclination of the installed product to optimise the orientation of the irradiated flow



[1]



Lamp system parallel fixing kit

[2]



2 lamp system series fixing kit

Specific kits allow for the installation of 2 THERMOLOGIKA SOLEIL SYSTEMS in a side-by-side or overlapping position, maintaining a single point of supply



TECHNICAL FEATURES

- 1 model.
- The anodised extruded aluminium enclosure combines a fine aesthetic with the necessary mechanical strength, also giving the product high installation flexibility, integrating 5 horizontal grooves used to aim the device in the most appropriate manner depending on the type of installation.
- Electro-polished stainless steel sheet grille.
- Die-cast aluminium internal side walls supporting the IR lamp, specially studied to ensure water resistance (IP65 degree) thanks to the cable glands and gaskets designed to withstand high temperatures.
- Painted die cast aluminium flanks with silicone polyester paint for high mechanical and thermal resistance.
- AISI 304 electro-polished stainless steel grille (treatment which prevents the formation of classic colour variations due to high operating temperatures), protects the lamp from impact and prevents contact that could cause damage to people or property. The grille also performs the function of correctly aiming radiation, reducing unwanted dispersions.
- IR lamp heater with adjustable power, depending on need, up to a maximum of 1,500 W, characterised by a particularly high thermal output and high start-up speed (beyond the 90% of the maximum radiated power peak is reached in less than 1 second) and long durability (5,000 h).
- Reflective surface in mirror polished aluminium: its carefully studied monofocal profile ensures a high level and uniform concentration of heat radiation, guaranteeing a correct and uniform area of comfort.
- Bent steel sheet bracket for wall/ceiling mounting, desired to ensure secure product anchoring to its final surface, also allowing for correct inclination.
- Pre-set for connection to an external dimmer equipped with IR remote control (supplied as an option), for adjusting the end of the radiated power according to actual current needs.
- Terminal board for electrical connection housed in the left flank.
- Heating power adjustable by means of the dimmer according to actual current needs.
- Protection rating from dust and water: IP65.
- Class of electric isolation: I (earthing required).



THERMOLOGIKA® SOLEIL SYSTEM RANGE
WALL-MOUNTED INFRARED HEATER FOR INDOOR AND OUTDOOR USE

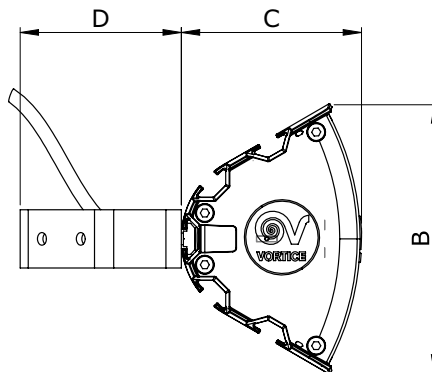
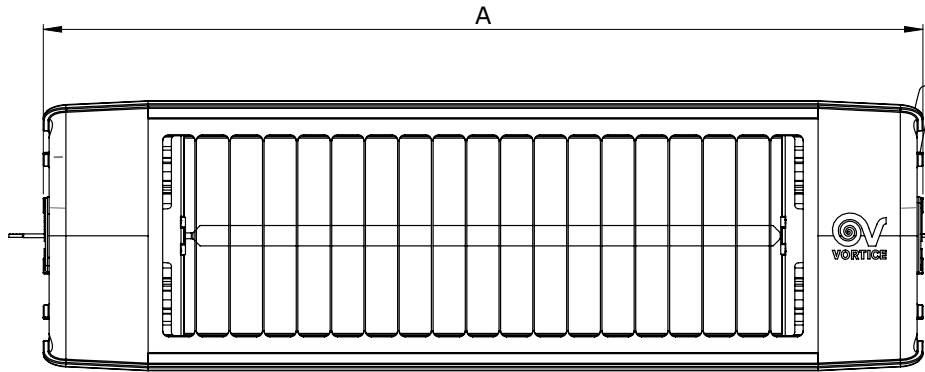
TECHNICAL DATA

PRODUCTS	CODES	V~50/60HZ	W	A	KG
THERMOLOGIKA SOLEIL SYSTEM	70070	220-240	1500	6.3	2.3

TECHNICAL DATA PURSUANT TO REGULATION 1188/2015/EU

	REFERENCE PARAMETER	UNIT OF MEASUREMENT	THERMOLOGIKA SOLEIL SYSTEM
Storage devices with pilot light	-	-	no
Devices with stand-by mode	-	-	no
Seasonal energy efficiency of space heating	η_s	%	35
THERMAL POWER			
Rated thermal power	P _{nom}	kW	1.5
Minimum thermal power (indicative)	P _{min}	kW	1.5
Maximum continuous thermal power	P _{max,c}	kW	1.5
AUXILIARY ELECTRICITY CONSUMPTION			
Auxiliary electricity consumption at rated thermal power	e _{lmax}	kW	0
Auxiliary electricity consumption at minimum thermal power	e _{lmin}	kW	0
Auxiliary electricity consumption in stand-by mode	e _{lSB}	kW	0
TYPE OF THERMAL POWER/AMBIENT TEMPERATURE CONTROL (INDICATE ONLY ONE OPTION)			
Single phase without ambient temperature control	-	-	no
Two or more phases without ambient temperature control	-	-	no
With ambient temperature control via mechanical thermostat	-	-	no
With electronic ambient temperature control	-	-	yes
With electronic ambient temperature control and daily timer	-	-	no
With electronic ambient temperature control and weekly timer	-	-	no
OTHER CONTROL OPTIONS (YOU CAN SELECT MULTIPLE OPTIONS)			
Ambient temperature control with presence sensor	-	-	yes
Ambient temperature control with open window sensor	-	-	no
Control with remote control option	-	-	yes
Adaptable switch-on control	-	-	no
Control with operating time limitation	-	-	no
Control with black globe thermometer	-	-	no

DIMENSIONS






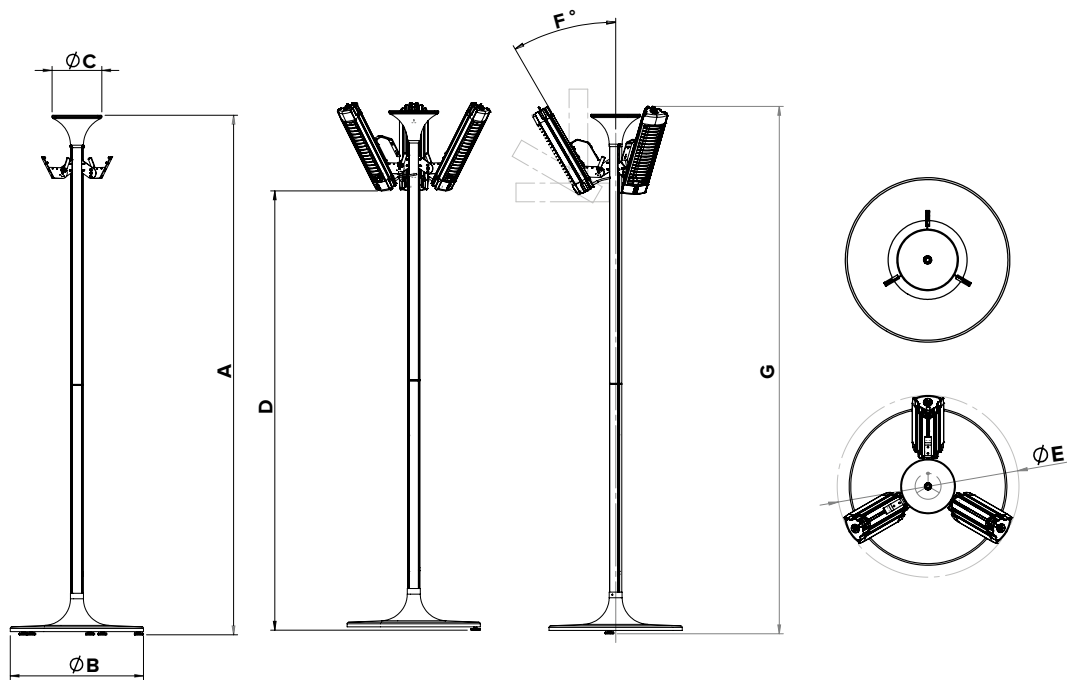
PRODUCTS	A	B	C	D
THERMOLOGIKA SOLEIL SYSTEM	453	138	93	83

Dimensions in mm

THERMOLOGIKA® SOLEIL SYSTEM RANGE
WALL-MOUNTED INFRARED HEATER FOR INDOOR AND OUTDOOR USE

ACCESSORIES UPON REQUEST

MODELS	DESCRIPTION	CODE
	KIT PRL SYSTEM - Allows the overlapping installation of 2 THERMOLOGIKA SOLEIL SYSTEMS. The Kit includes: 1 wall bracket, which replaces the wall mounting brackets provided as standard for each device and 1 junction box for simultaneous powering of the two devices through a single connection to the mains.	21461
	KIT SR SYSTEM - Allows the side-by-side installation of 2 THERMOLOGIKA SOLEIL SYSTEMS. The Kit includes: 1 wall bracket, which replaces the wall mounting brackets provided as standard for each device and 1 junction box for simultaneous powering of the two devices through a single connection to the mains.	21460
	PALOLOGIKO SYSTEM - Standing base compatible with coupling to 1, 2 or 3 THERMOLOGIKA SOLEIL SYSTEMS. Increases the usability of the devices, without them requiring fixed installation. All connected units can be powered from the bottom or from the top of the device through a single access to the electrical mains. The grooves made in the profile of the support pole house the power cables, at the same time improving the aesthetics and installation safety. The coupling mechanism allows adjustment of the angle of inclination on each coupled appliance for a more rewarding experience of use.	21433






A	B	ØC	D	ØE	F°	G
2535	650	245	2203 - 2107	448 - 982	0° - 90°	2657

Quote in mm



CONTROLS

MODELS	DESCRIPTION	CODE
	<p>DIMMER SYSTEM - Regulation box complete with infrared (IR) remote control, allows to switch on/off and set 1 or 2 THERMOLOGIKA SOLEIL SYSTEMS, varying the power supplied: when turned on, the combined products start at maximum power; repeatedly pressing the button located at the side allows the power to be reduced to values equal to 2/3 and 40% of maximum power, until the shutdown is reached. The "soft-start" feature ensures the regular operation of the controlled appliances over time, avoiding damaging deterioration linked to the failure to reach the normal temperature of the halogen gases.</p> <p>Easy to install, it is compatible with wall mounting even outdoors, thanks to its high water resistance (IP65). The practical infrared remote control supplied with the dimmer allows to switch on/off, to adjust the heat emission according to the thresholds set (1,500, 1,300, 1,200, 1,000, 800, and 600 W) of one or both lamps wired to the device, and, using a dedicated key, to directly switch to maximum power.</p>	21434
	<p>HOMEMATIC IP SMART PLUG - The HOMEMATIC IP smart plug is a low energy consumption device capable of wirelessly controlling the switching on/off of the appliance and checking the energy consumption of the electrical equipment connected to it. A button on the front cover of the plug allows manual activation and deactivation. Control via AMAZON ALEXA and GOOGLE ASSISTANT voice assistants.</p> <p>Remote control of the paired electrical equipment is achieved through the HOMEMATIC IP ACCESS POINT bridge using the HOMEMATIC IP app for smartphones and tablets. Paired with the HOMEMATIC IP ACCESS POINT bridge (code 21380) and with the C TEMP (code 12992) and/or C PIR (code 12998) devices, it ensures the perfect compliance of THERMOLOGIKA SOLEIL SYSTEM with the requirements of regulation for public housing No. 1188/2015 (for further details, see the product documentation)</p>	21379
	<p>HOMEMATIC IP ACCESS POINT - HOMEMATIC IP ACCESS POINT is the central unit of a system designed to allow, using the HOMEMATIC IP App, the configuration and remote control of electrical devices in the house using mobile devices such as smartphones and tablets. Wall installation possible.</p> <p>Power supply and ethernet cable supplied with the device Paired with the HOMEMATIC IP smart plug (code 21379) and the C TEMP (code 12992) and/or C PIR (code 12998) devices, it ensures the perfect compliance of THERMOLOGIKA SOLEIL SYSTEM with the requirements of regulation for public housing No. 1188/2015 (for further details, see the product documentation).</p>	21380

THERMOLOGIKA® SOLEIL SYSTEM RANGE
WALL-MOUNTED INFRARED HEATER FOR INDOOR AND OUTDOOR USE

APPLICATIONS



APPLICATIONS



CALDOFÀ RANGE

WALL-MOUNTED INFRARED HEATER FOR INDOOR AND OUTDOOR USE

CALDOFÀ® RANGE

Wall-mounted infrared heater for indoor and outdoor use

Heat recovery unit for fireplaces, specifically designed to reduce firewood consumption by maximising the effectiveness of combustion. CALDOFÀ draws in cold air from the room, which is then heated by burning firewood, and sends the heated air back into the room.

- High efficiency: CALDOFÀ optimises the heating power of burning firewood.
- Highly effective heating, equal to that of a traditional fan heater.
- Cost effective use: CALDOFÀ absorbs only 20 electric W and promotes reduced consumption of firewood.
- Easy installation: adjustable feet and telescopic tubes facilitate installation in all kinds of fireplaces.
- Safe use: the spark arrestor supplied protects from bursts of flames.
- Concept: A.P. Design: A.P. - A. Dematteis.

Caldofà draws in cold air, heats it and sends it back into circulation



Decorative faun heads and spark arrestor

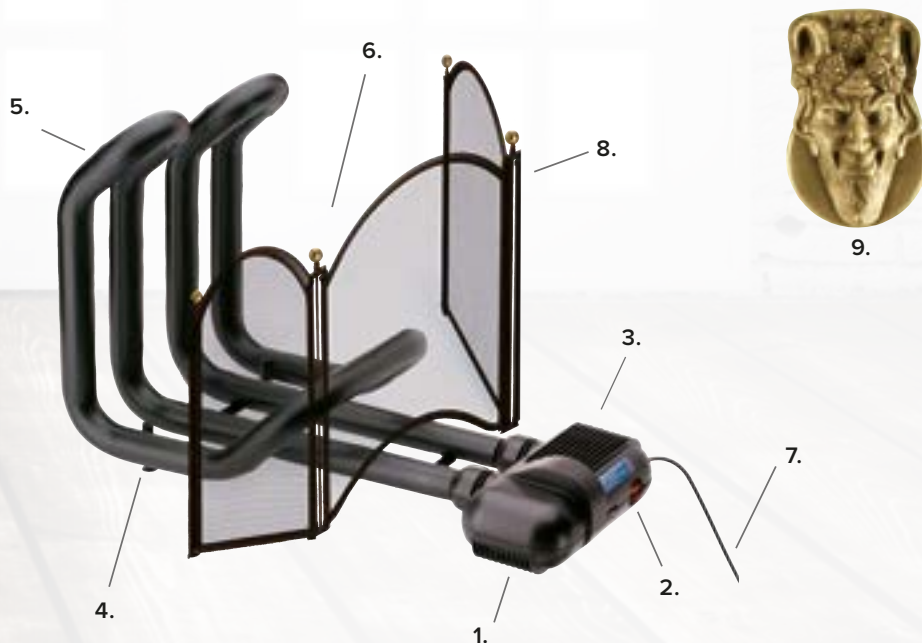


TECHNICAL FEATURES

- 1 model.
- CALDOFÀ is very simple and easy to operate. Simply place it in the centre of the fireplace and light the fire. CALDOFÀ draws in cold air from the room, which is then heated (optimising the heat produced by the burning firewood), and sends the heated air back into the room. A few minutes after the fireplace is lit, CALDOFÀ produces the "heating effect" of a fan heater at a lower cost (about € 0.074 of electricity per hour of operation), providing significant savings in heating costs.
- Approx. 2.5 m power cord complete with Italian plug.
- Protection rating from dust and water: IP21.
- Class of electric isolation: II (earthing not required).

MAIN COMPONENTS

- 1 - Cold air inlet.
- 2 - Heated air outlet with 360° deflector to direct the flow as desired.
- 3 - Ventilating unit with die cast aluminium enclosure, removable to minimise the space taken up when not being used, composed of:
 - fan unit, composed of a centrifugal fan directly coupled to a 2-speed motor (for the best balance between performance), with shaft on ball bearings to guarantee long lasting continuous service (at least 30,000 h).
 - Room air intake grilles.
 - Diffuser with directional fins to better send hot air in the desired direction.
 - Switch/selector to turn the device on/off and set the fan speed.
- 4 - Adjustable feet, together with telescopic tubes, for CALDOFÀ installation on any type of fireplace.
- 5 - Telescopic tube bundle in black painted steel, shaped to optimise device performance and reduce firewood consumption, preventing excessive storage.
- 6 - Raised front tube to hold firewood and prevent excessive storage (compatible with the alary blades).
- 7 - 2.5 m power cord.
- 8 - Spark arrestor to prevent bursts of flames and protect furniture from the risk of fire.
- 9 - Decorative faun head caps to be applied to the inlet and outlet sections of the tube bundle when the device is not in use.

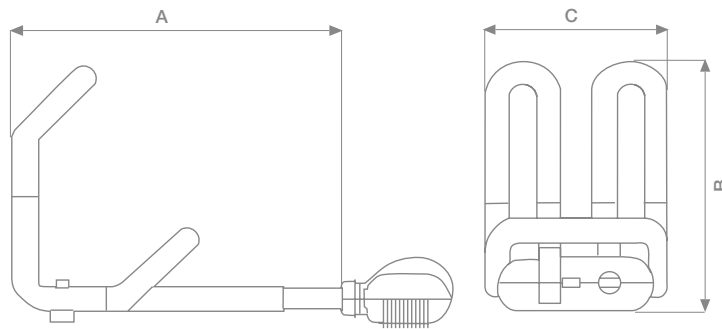


CALDOFÀ RANGE
WALL-MOUNTED INFRARED HEATER FOR INDOOR AND OUTDOOR USE

TECHNICAL DATA

PRODUCTS	CODES	V~50HZ	W	A	FLOW RATE m ³ /h		Lw dB(A)		KG
					min	max	min	max	
CALDOFÀ	70710	220-240	20	0.18	32	48	47	54	18.0

DIMENSIONS



PRODUCTS	A	B	C
CALDOFÀ	348	450	500-830

Heights in mm

APPLICATIONS



ACCESSORIES UPON REQUEST

MODELS	DESCRIPTION	CODE
	TELESCOPIC TUBES extended (750 mm) to adapt to particularly deep fireplaces.	22993

VORTICE GROUP COMPANIES

VORTICE S.P.A

Strada Cerca, 2
Frazione di Zoate
20067 Tribiano
(Milan) Italy
Tel. (+39) 02 906991
Fax (+39) 02 90699625
vortice.com

VORTICE LIMITED

Beeches House
Eastern Avenue
Burton upon Trent
DE13 0BB United Kingdom
Tel. (+44) 1283 492949
Fax (+44) 1283 544121
vortice.ltd.uk

VORTICE INDUSTRIAL S.R.L.

Via B. Brugnoli 3,
37063 Isola della Scala
(Verona) Italy
Tel. (+39) 045 6631042
Fax (+39) 045 6631039
vorticeindustrial.com

CASALS VENTILACIÓN AIR INDUSTRIAL S.L.

Ctra. Camprodon, s/n 17860
Sant Joan de les Abadesses
(Girona) Spain
Tel. (+34) 972720150
casals.com

VORTICE LATAM S.A.

Bodega #6
Zona Franca Este Alajuela,
Alajuela 20101
Costa Rica
Tel. (+506) 2201.6934
vortice-latam.com

VORTICE VENTILATION SYSTEM

(Changzhou) Co.LTD
No. 388 West Huanghe Road
Building 19, Changzhou
Post Code: 213000 China
Tel. (+86) 0519 88990150
Fax (+86) 0519 88990151
vortice-china.com

TOLL-FREE NUMBER

800 555 777

The descriptions and illustrations in this catalogue are intended to be indicative and not binding. Without prejudice to the essential characteristics of the products described and illustrated here, VORTICE reserves the right to make, at any time and without notice, any changes to parts, aesthetic details or supply of accessories to its products that are deemed to be appropriate for improvement or for any construction or commercial requirement.
This printout completely cancels and replaces all previous ones.

